



Secure Systems Ltd

Technical specifications

Domehawk

eco

Ultra low power dome camera



Domehawk eco is a new ultra low power dome camera that uses the latest CMOS technology to give up to six months operation from the internal battery without recharging. The camera can also be connected to solar panels and wind turbines making it ideal for unattended operation in remote sites.

Domehawk eco draws less than 50 milliamps, considerably less than any other commercially available CCTV camera. This has been achieved by using a leading edge, energy efficient video transmitter and eliminating power hungry functionality such as Tours and Privacy Zones. The camera also uses a 1/3" CMOS chip with 22:1 optical zoom and a special Pelco compatible PTZ mechanism. It operates in most light conditions down to 0.1 lux.

This energy efficient camera was developed from the ground up by MEL Secure Systems. It provides unattended operation for up to one year with just 2 days of sunlight per month.

Specification

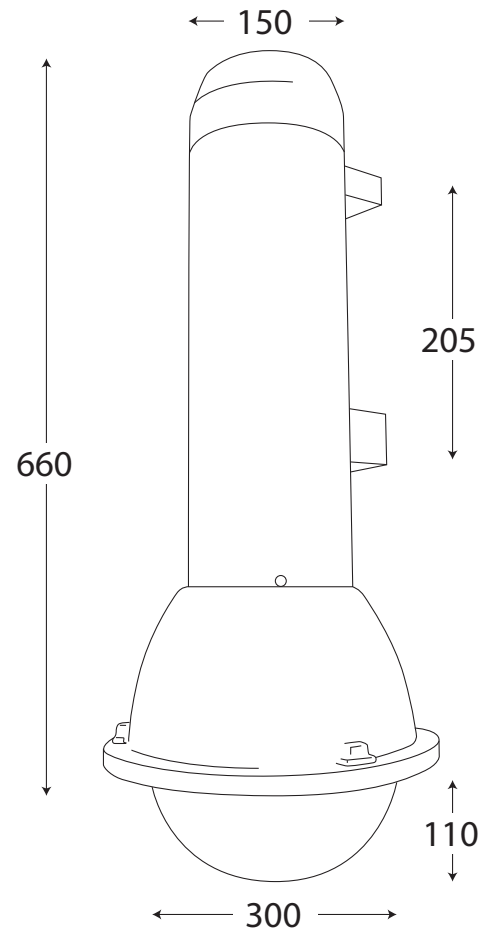
Camera

Camera:	Cmos 1/3" colour
Lens:	5-80 mm
Resolution:	380 lines
Minimum Illumination:	1 Lux
Pan:	360°
Tilt:	90°
Focus:	Manual
Protocol:	Pelco D 2.4 kbs
Video Transmission:	1.394 GHz/2.4 GHz/5.8 GHz options
Telemetry Receiver:	433 or 458 MHz
Power:	12V DC 55mA
Internal Battery:	80 AH Lithium
Average run time without sunlight:	60 days
Temperature Range:	-5° to +60°
Environmental:	IP65
Weight:	11.7 Kg

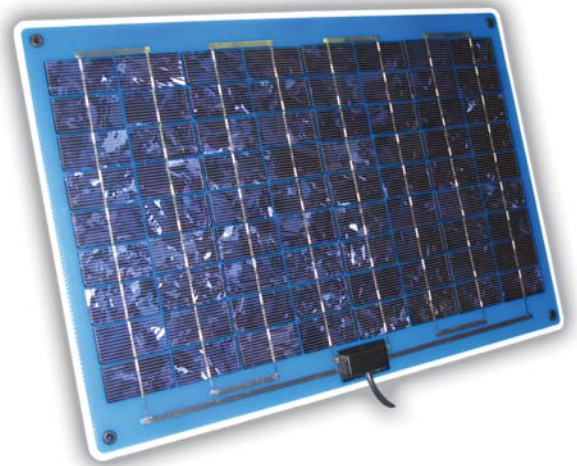
Solar Panel (20W)

Size:	381x559x3 mm
Weight:	1.2 kg

Technical specifications liable to change at discretion of manufacturer.



All dimensions are in millimeters



Middlemarch Business Park, Siskin Drive, Coventry, CV3 4FJ
Tel: 024 7630 6606 ■ Fax: 024 7630 6100
sales@melsecuresystems.com

mel
Secure Systems Ltd