

## Domehawk HD2

### REDEPLOYABLE MEGA-PIXEL CCTV SOLUTION

Domehawk HD2 is a rapid deployment CCTV solution and incorporates the latest mega-pixel technology, with full pan, tilt and zoom, to provide enhanced recognition of suspects to meet evidential standards and reduce the incidence of anti-social behaviour in a wide range of environments..

Domehawk HD2 features a powerful day/night camera and delivers compressed video streams with resolutions of up to 1920x1080 at full frame rate. The camera provides excellent contrast for use in low light conditions and has built-in digital noise reduction to minimise video interference and the triggering of false alarms. It also features video analytics and face detection to enhance tracking of suspects.

The mega-pixel technology used by Domehawk HD2 will deliver improved facial and number plate recognition to meet the evidential requirements of local authorities and law enforcement agencies. At a similar cost to standard definition systems, it provides a cost-effective solution for a wide range of security and safety applications.

Domehawk HD2 is also equipped with an onboard DVR with 500GB capacity. Recordings can be quickly and easily downloaded via Wi-Fi or 3G using a mobile phone, laptop or tablet computer. The camera is available immediately and can be specified with black, cream or grey casings



# Specification

## Camera Unit

### Lens

6.3-63 mm, F1.8-2.5,  
Optical Zoom 10x, Electronic Zoom  
16x (up to 160x when used in  
combination with optical zoom)

### Sensitivity

50IRE: 2.0 Lux (F1.8, in colour mode  
with high gain)

50IRE: 0.1 Lux (F1.8, in black and  
white mode with high gain)

### Image Sensor

1/2.5" CMOS sensor

### Maximum Image Resolution

16:9 1920 x 1080

4:3 1600 x 1200

### Image Compression

H.264/JPEG

### Picture Quality

Quality Mode: BASIC, NORMAL,  
ENHANCED, FINE, SUPER FINE  
Bitrate Mode: User specified bitrate

### Rotational Scope

Pan: 360 endless pan

Tilt: -20 to +200

### Rotational Speed

Pan: Max 420 /sec

Tilt: Max 360 /sec (0.1 to 120 /sec  
during manual operation)

### Preset Positions

Max 256

### Auto Mode

Sequential, auto pan, tour, automatic  
return

### Privacy Mask

ON/OFF, up to 32 positions

### Motion Sensor

ON (detection area setting, video  
analytics)/OFF (face detection  
function)

### Auto Pursuit

ON/OFF

### Sway Compensation

ON/OFF

## Built-in HDD

500GB

## Language Selection

English, French, German, Spanish,  
Japanese

## Weight

8.3kg

## Network

### Interface

10BASE-T/100BASE-TX

### Protocol

TCP/IP, UDP, HTTP, HTTPS, SMTP,  
NTP, DHCP, FTP, DDNS, RTP, RTSP,  
RTCP

### Audio

G.711 (Bidirectional)

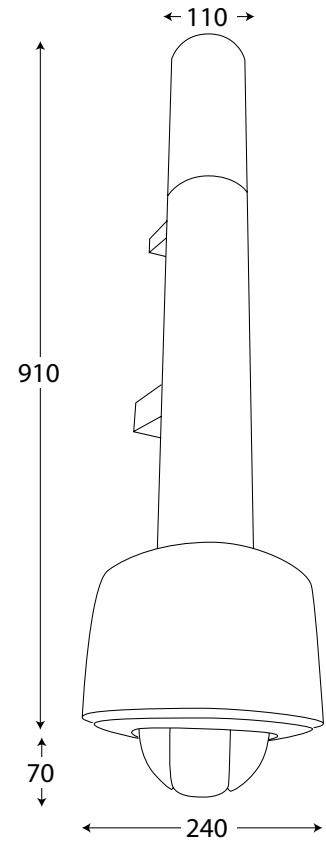
### Simultaneous Access

20

### Security

BASIC authentication (ID/password),  
SSL, IP filtering

Technical specifications liable  
to change at discretion of  
manufacturer.



All dimensions  
are in millimeters



Middlemarch Business Park, Siskin Drive, Coventry, CV3 4FJ

Tel: 024 7630 6606 ■ Fax: 024 7630 6100

sales@melsecuresystems.com

**mel**  
Secure Systems Ltd

www.melsecuresystems.com