



Virtual Pivot CCTV Camera for covert surveillance applications

The Virtual Pivot CCTV camera from MEL Secure Systems is an innovative and unique security solution. It provides full pan, tilt and zoom functionality and meets the specific needs of law enforcement and government agencies in a wide range of covert surveillance applications.

The camera mounts securely to vehicle panels or box hides and can even be placed inside existing street lights and furniture with no visible signs or tell-tale graphics to show that CCTV monitoring is taking place. A high quality conical

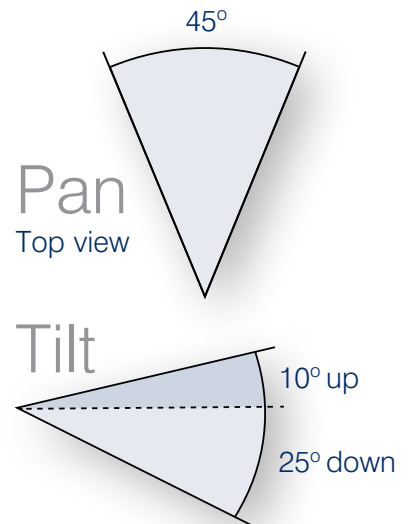
lens provides crystal clear images, with full PTZ, through holes as small as 2mm diameter.

This camera has a 1/3" SONY FCB-EX20 CCD Image Module which offers a high resolution 540 TVL picture quality in both colour and black and white as well as delivering excellent low light performance. An IR cut filter provides extra sensitivity.

Use of the Pelco D control protocol enables integration with a wide range of industry-standard transmission equipment.

Specifications

Zoom



Camera Module	Sony FCB-XE20
Horizontal Resolution	530 TVL
Pixels	PAL: 440,000, NTSC 380,000
Lens	10 x Optical, f = 5.1 mm (wide) to 51 mm tele) 550 TVL
Digital Zoom	12 x (120 with optical zoom)
Minimum Illumination	0.7 lux (F1.8, 50 IRE)
S/N Ratio	More Than 50 dB
Pan Angle	45°
Tilt Angle	Tilt Angle 10° Up, 25° Down
Protocol	Pelco D 2.4 kbs
Interface	RS485
Output	Composite Video
Environmental	IP65
Auto Focus	Yes
Image Stabilisation	No
Noise Reduction	Nos
Slow Shutter	Yes
Auto Flip	Tilt Switch Sensor
Temperature Range	-5°C to +60°C (operating)
Power	12V DC @ 330mA
Casing Material	Aluminium
Dimensions	135mm (depth) x 116mm (width) x 125mm (height)
Weight	800g

Technical specifications liable to change at discretion of manufacturer.

Middlemarch Business Park, Siskin Drive, Coventry, CV3 4FJ

Tel: 024 7630 6606 ■ Fax: 024 7630 6100

sales@melsecuresystems.com

mel
Secure Systems Ltd

www.melsecuresystems.com